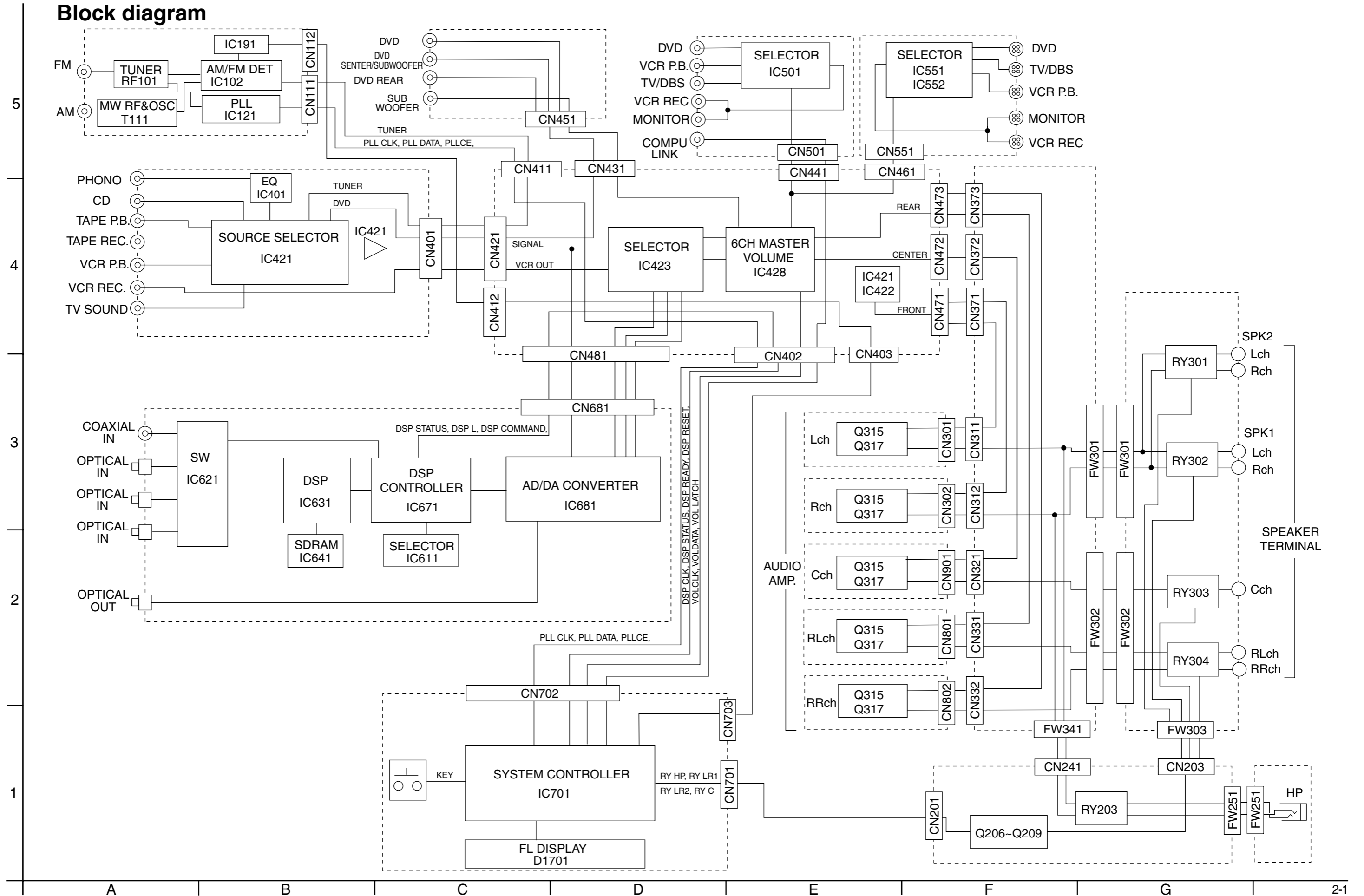


# Block diagram



# Standard schematic diagrams

## ■ Power supply section

5

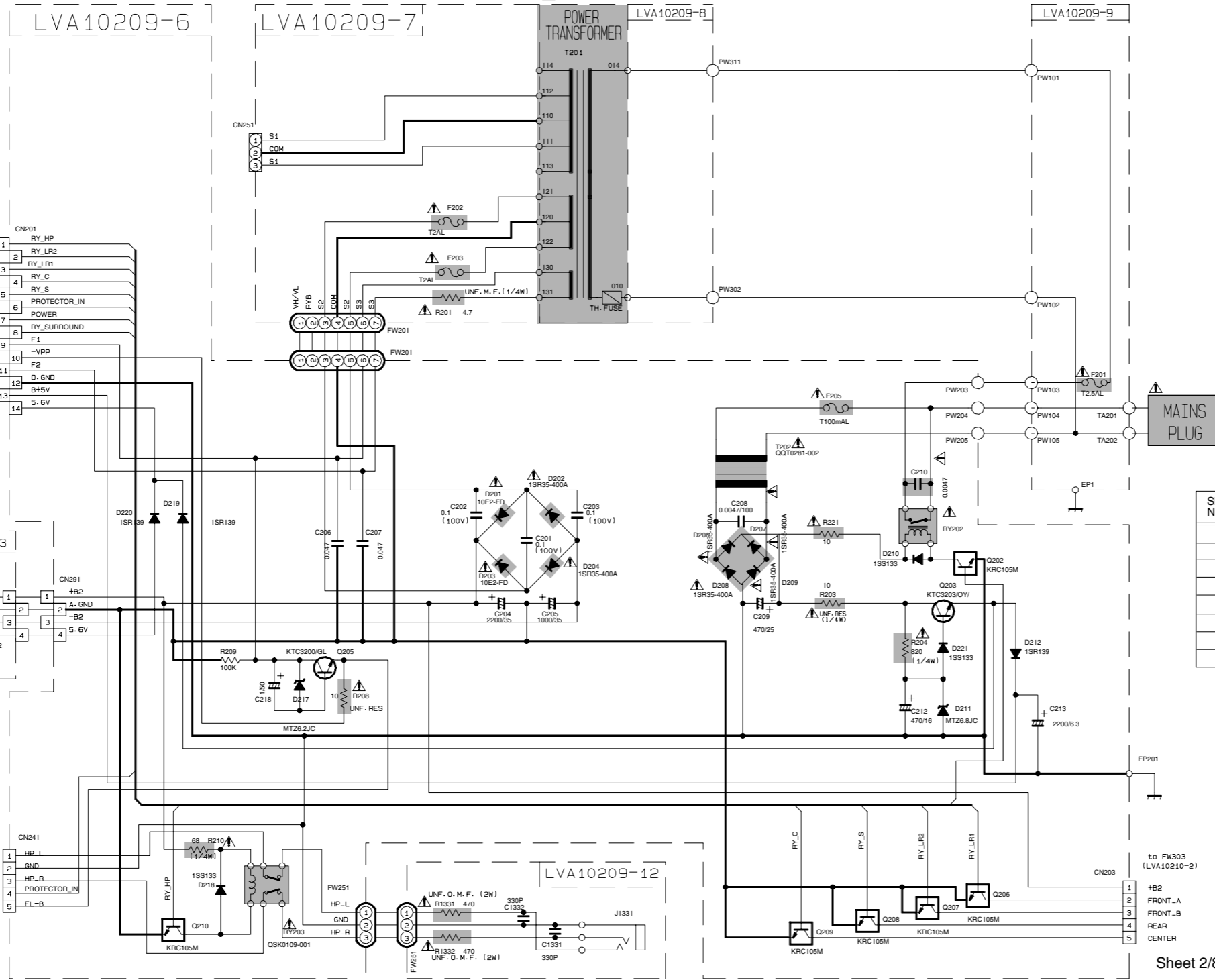
4

3

2

1

B/E/EN



Sheet 7/8

LVA10209-13

TO CN491 (LVA10211-1)

Sheet 2/8

MAINS PLUG

SHEET NUMBER	CIRCUIT DESCRIPTION
1 / 8	POWER SUPPLY
2 / 8	SPEAKER TERMINAL
3 / 8	AUDIO AMP
4 / 8	VOLUME / REGULATOR / SOURCE SELECT IC
5 / 8	AUDIO VIDEO SIGNAL INPUT TERMINAL
6 / 8	SURROUND IC / DIGITAL SIGNAL INPUT TERMINAL
7 / 8	USER CONTROL KEY / SYSTEM CONTROL LSI / FL DISPLAY
8 / 8	TUNER

Parts are safety assurance parts. When replacing those parts make sure to use the specified.

Sheet 2/8

■ Audio & Speaker terminal section

Sheet 1/8

LVA10210-1

FW485  
(LVA10211-1)  
Sheet 4/8

LVA10210-2

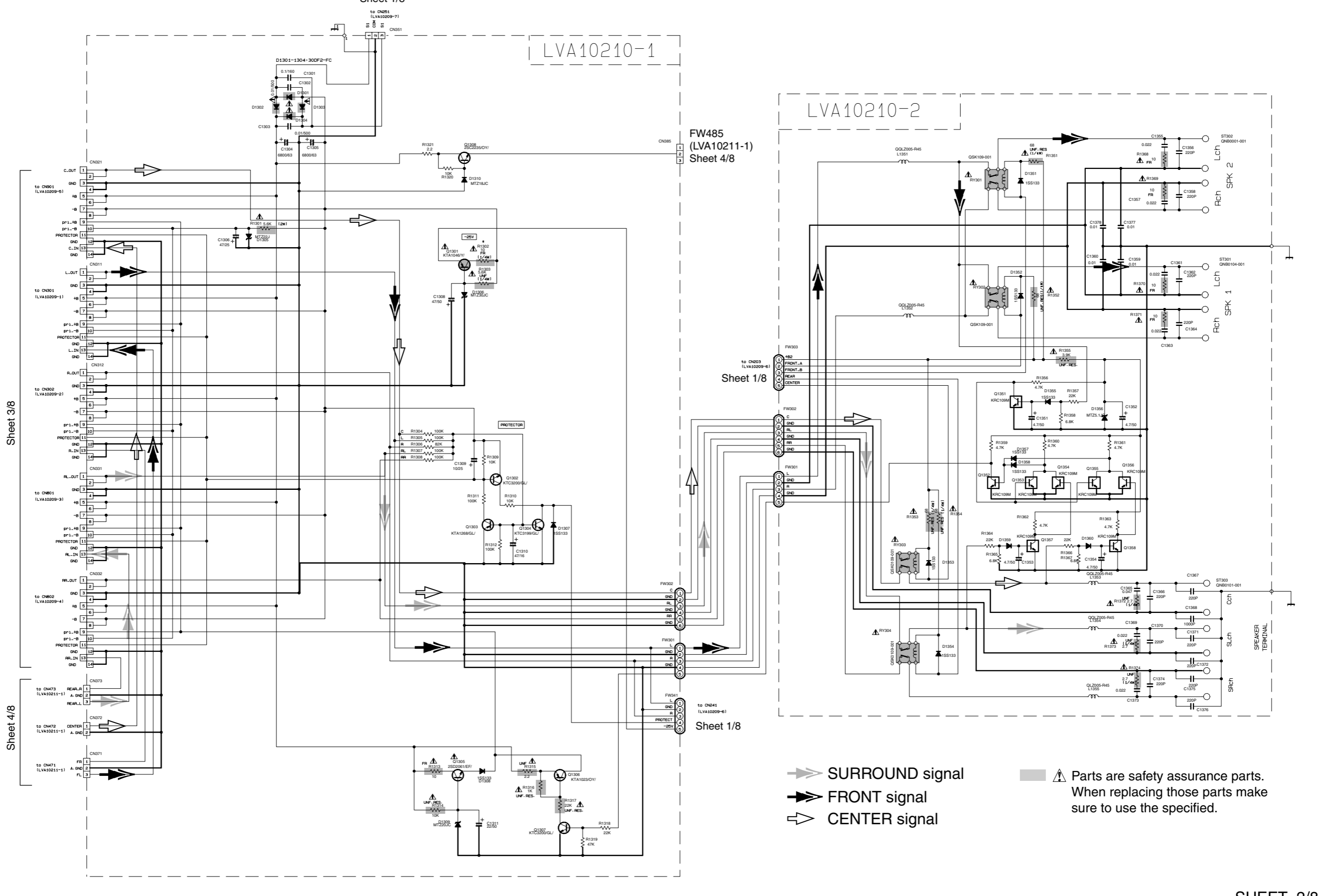
Sheet 1/8

Sheet 1/8

5  
4  
3  
2  
1

Sheet 3/8

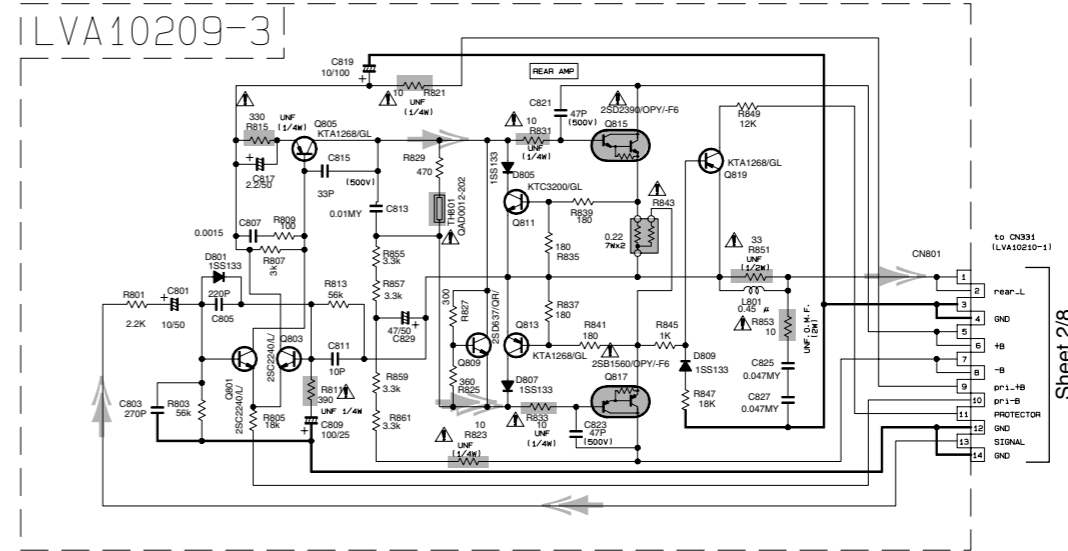
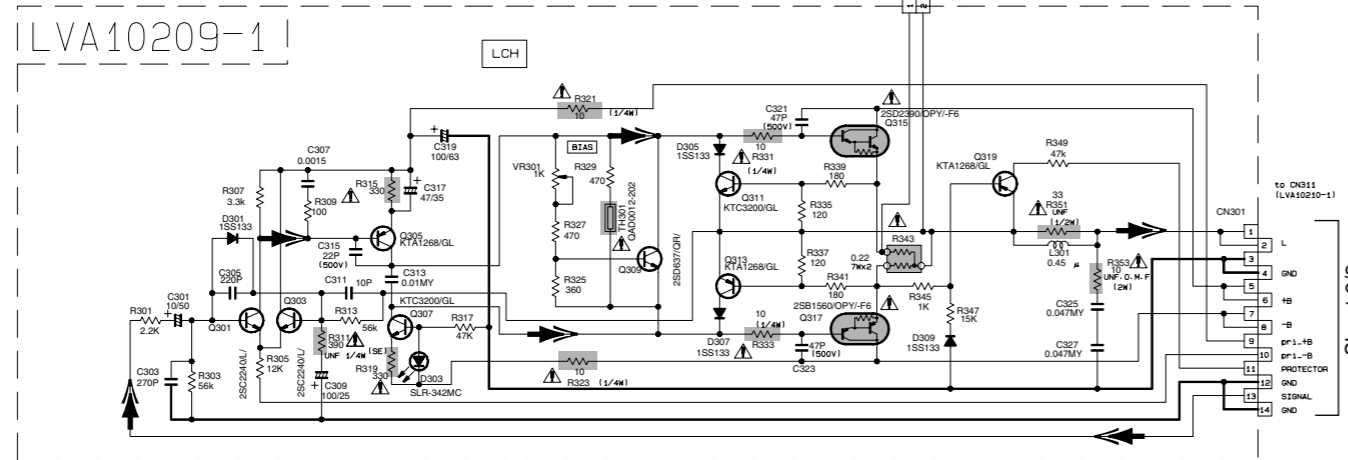
Sheet 4/8



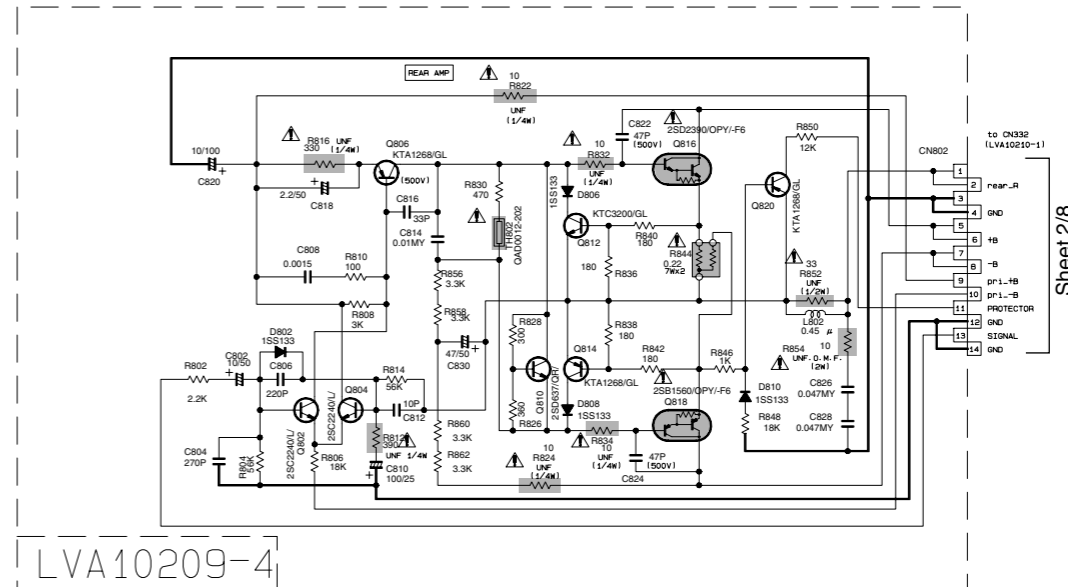
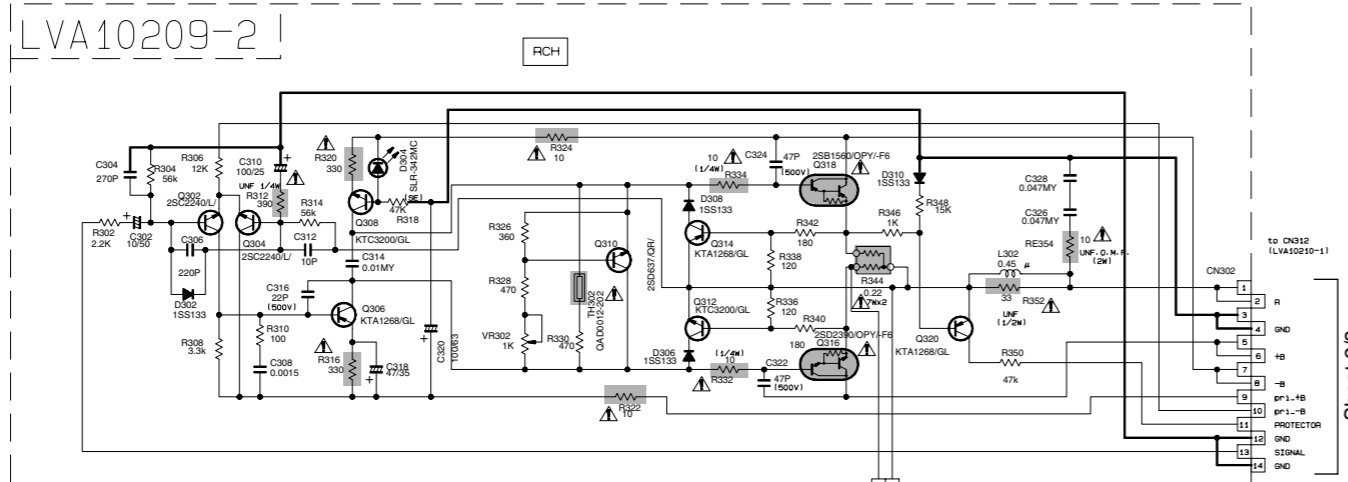
- SURROUND signal
- FRONT signal
- CENTER signal
- ⚠ Parts are safety assurance parts. When replacing those parts make sure to use the specified.

■ Audio amplifier section

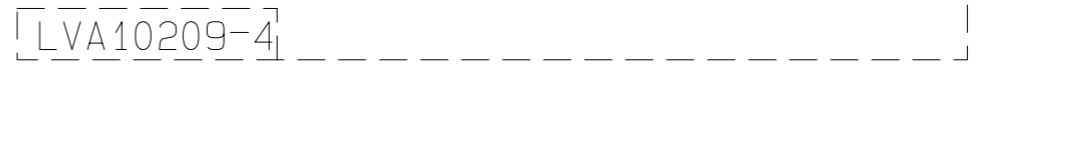
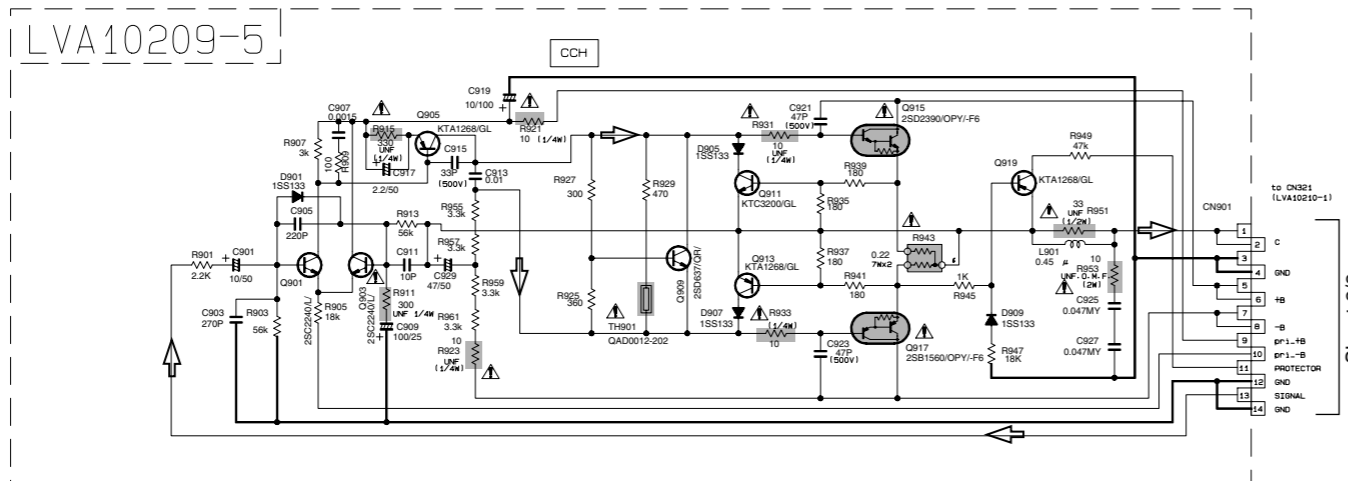
5



4



3



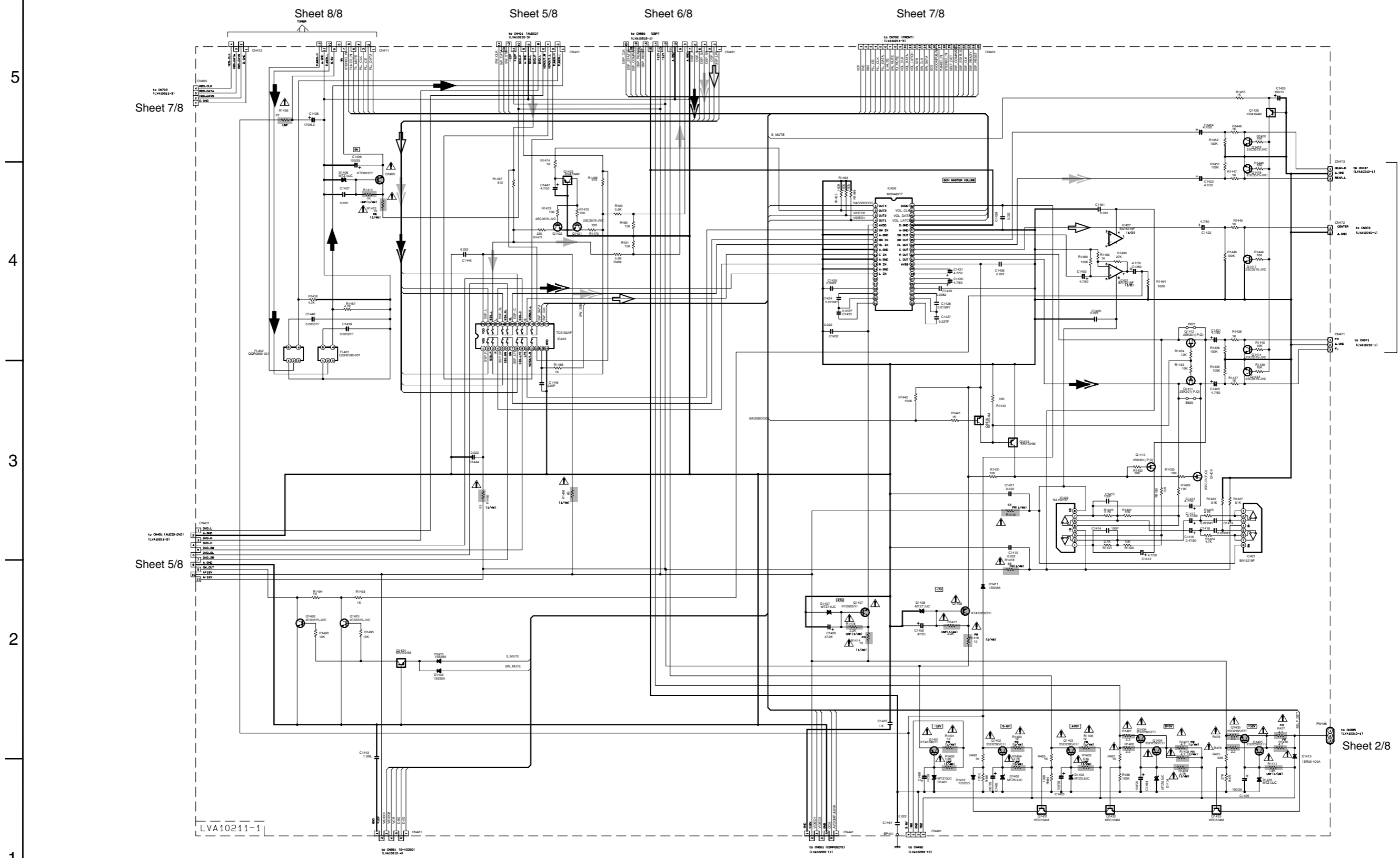
2

1

- ➔ SURROUND signal
- ➔ FRONT signal
- ➔ CENTER signal

⚠ Parts are safety assurance parts. When replacing those parts make sure to use the specified.

■ Main section



- AUDIO signal
- TUNER signal
- SURROUND signal
- FRONT signal
- CENTER signal
- ⚠ Parts are safety assurance parts. When replacing those parts make sure to use the specified.

■ Audio / Video / S Video / DVD signal input section

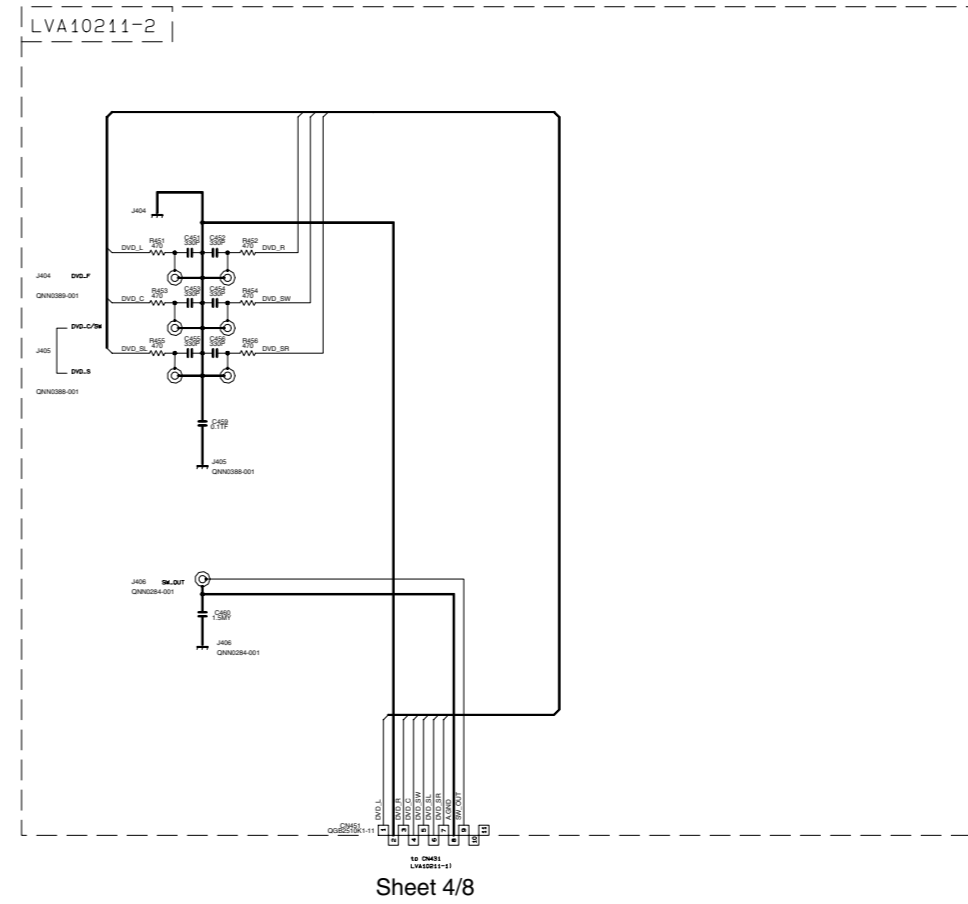
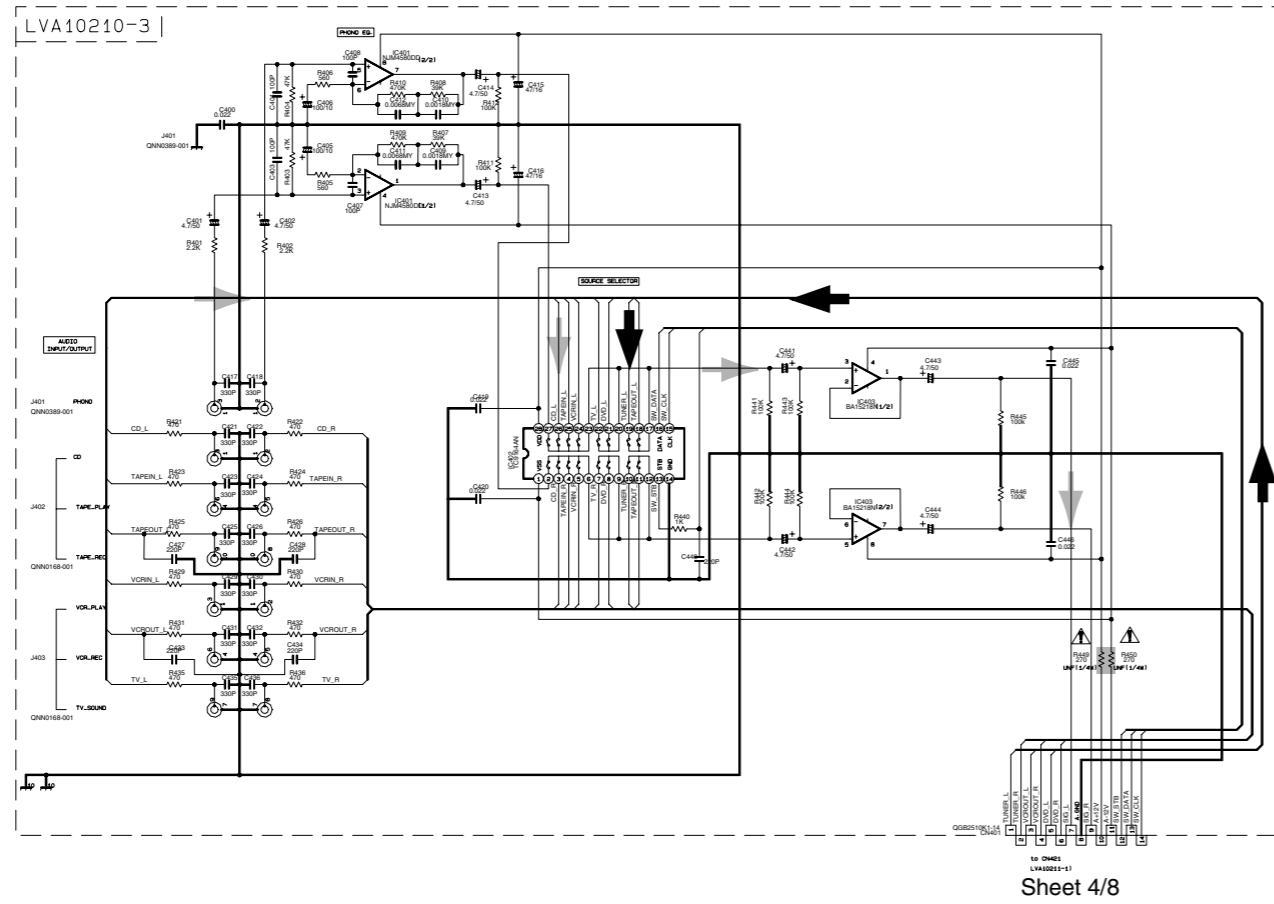
5

4

3

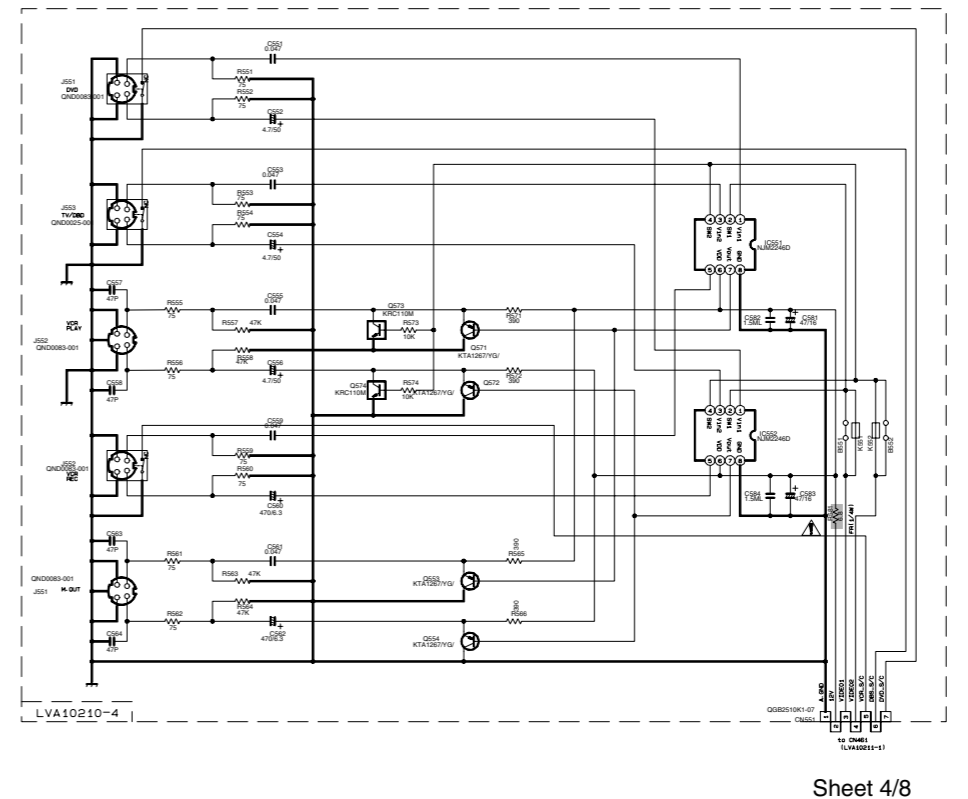
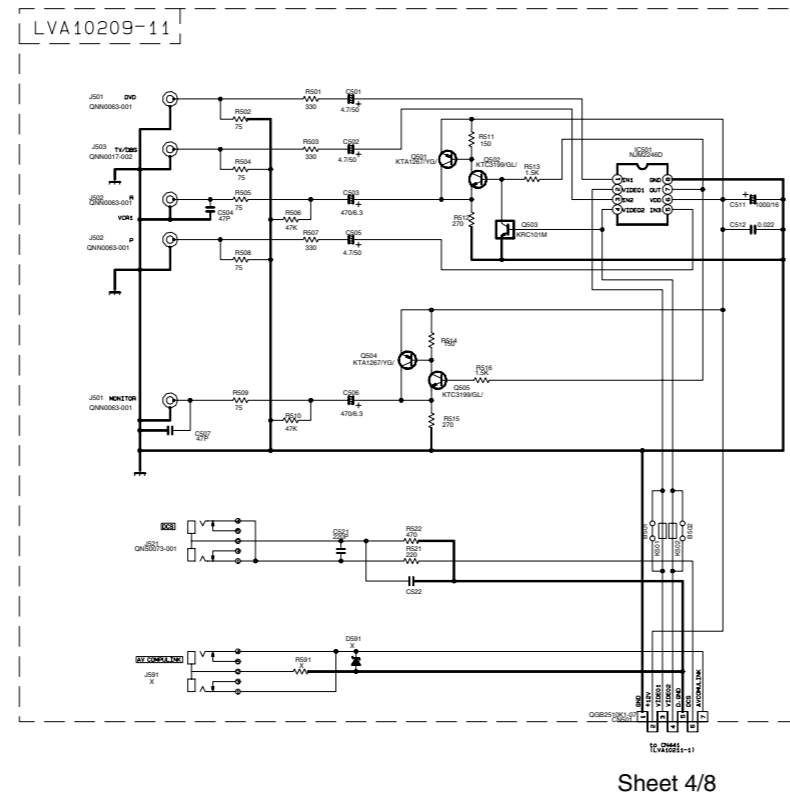
2

1



➔ AUDIO signal  
➔ TUNER signal

⚠ Parts are safety assurance parts. When replacing those parts make sure to use the specified.



DSP section

LVA10212-1

5

4

3

2

1

- ➔ AUDIO signal
  - ➔ SURROUND signal
  - ➔ FRONT signal
  - ➔ CENTER signal
- Note  
X : None used

A

B

C

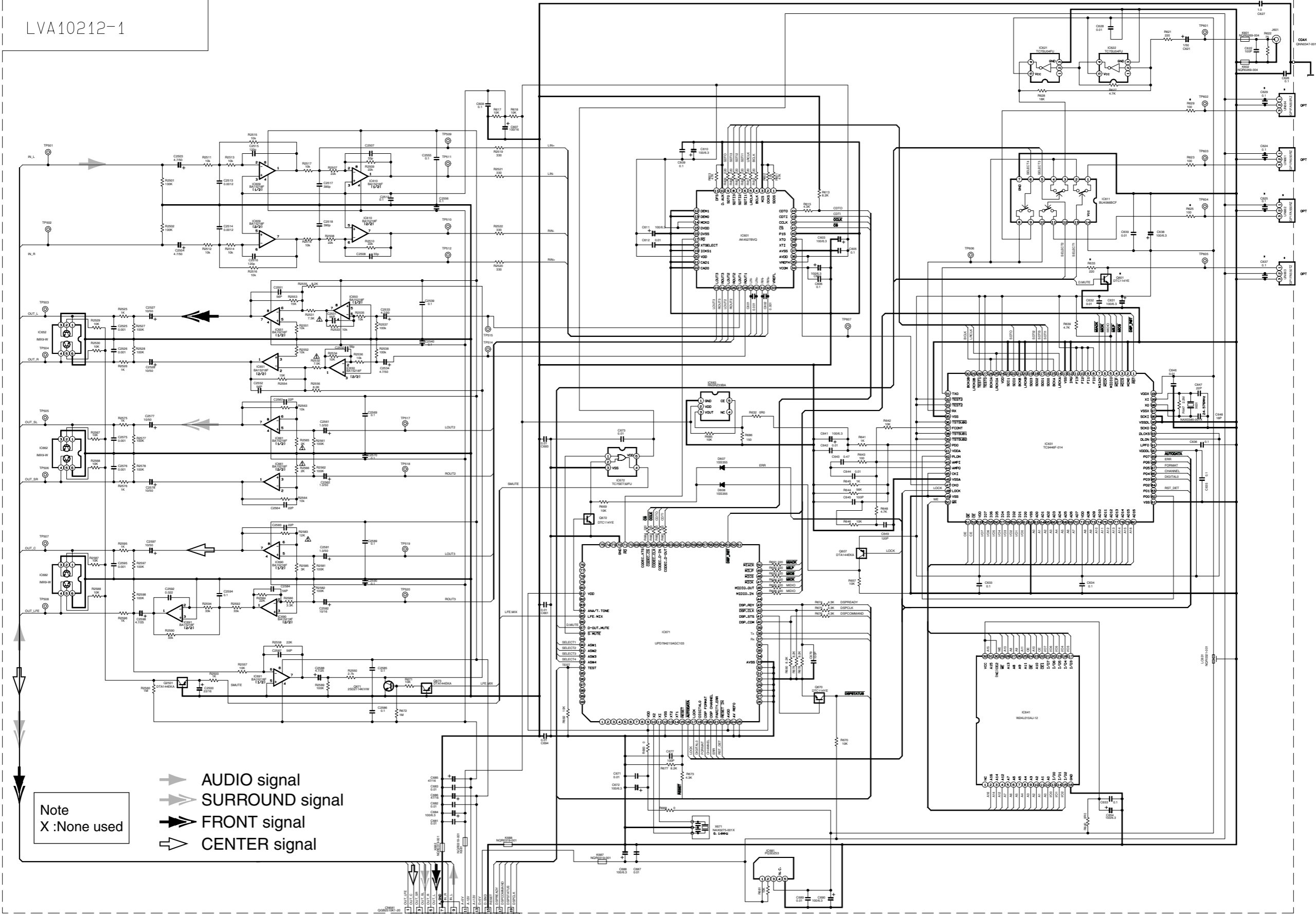
D

E

F

G

27



System control and FL displaying section

5

4

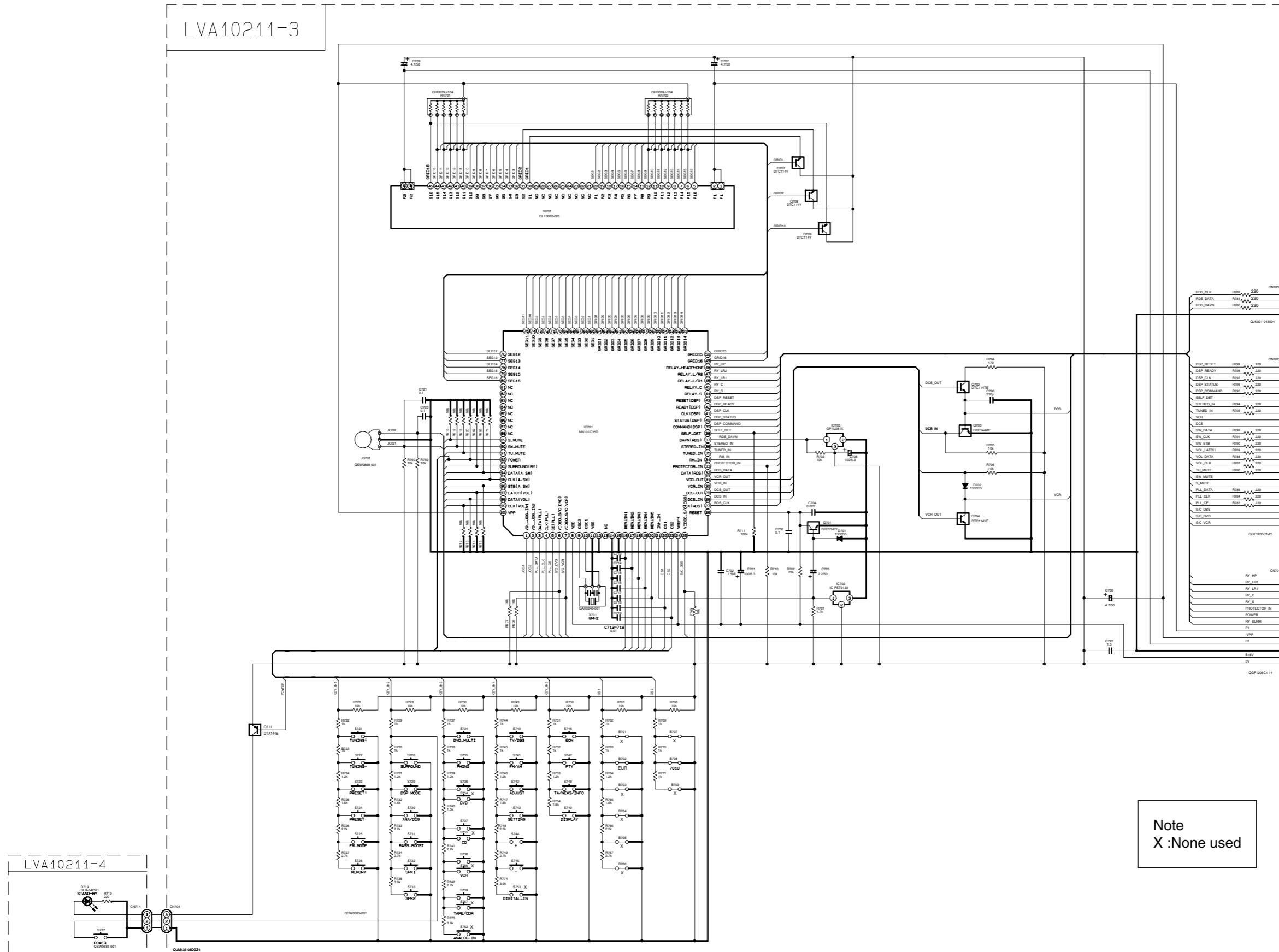
3

2

1

LVA10211-3

LVA10211-4



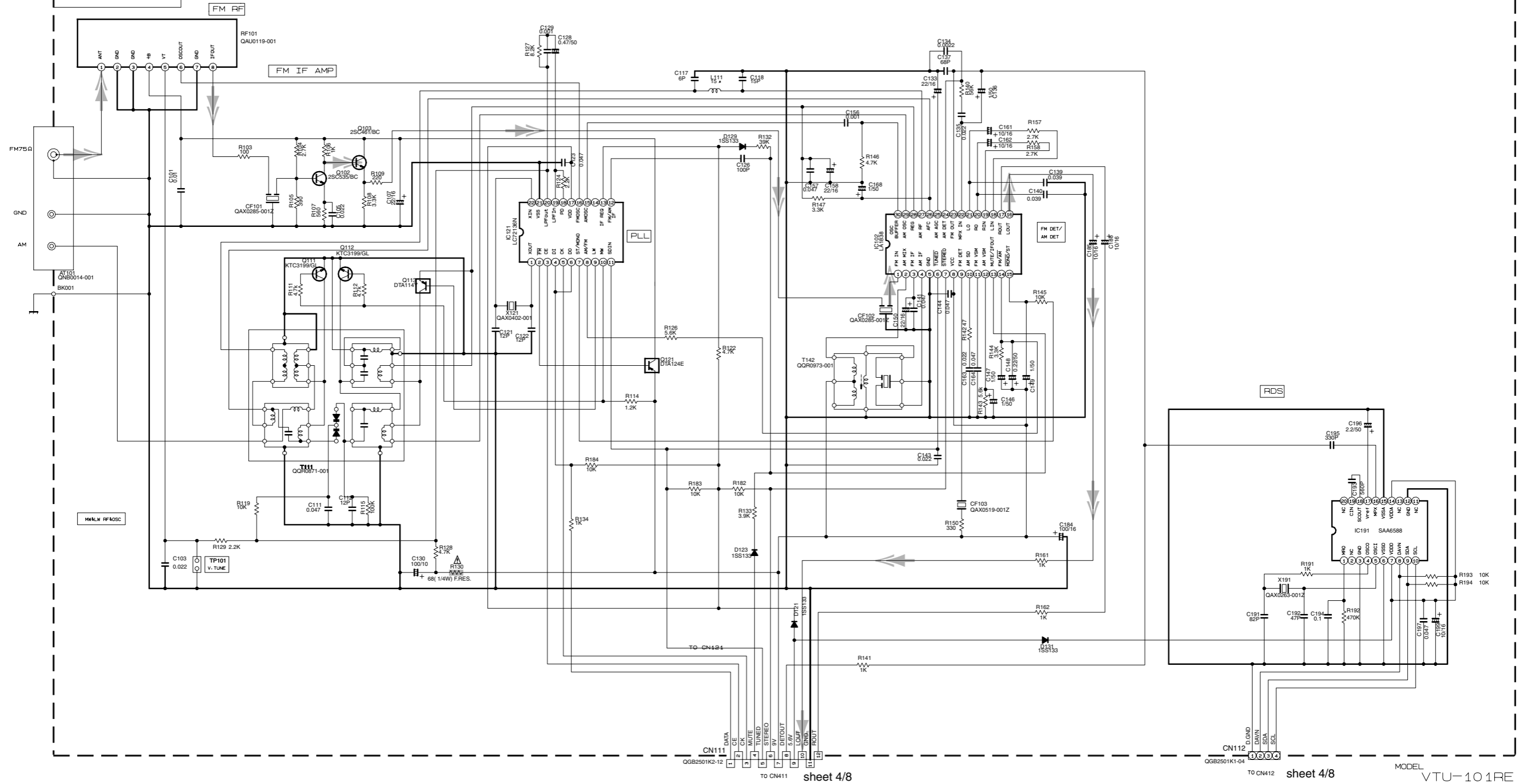
to CN402  
(LVA10211-11)  
Sheet 4/8

to CN001  
(LVA10209-61)  
Sheet 1/8



Tuner section

FOR E/EN/B (WITH RDS)  
LVA10009



➔ FM / Tuner signal

⚠ Parts are safety assurance parts.  
When replacing those parts make  
sure to use the specified one.

# Printed circuit boards

■ Main board

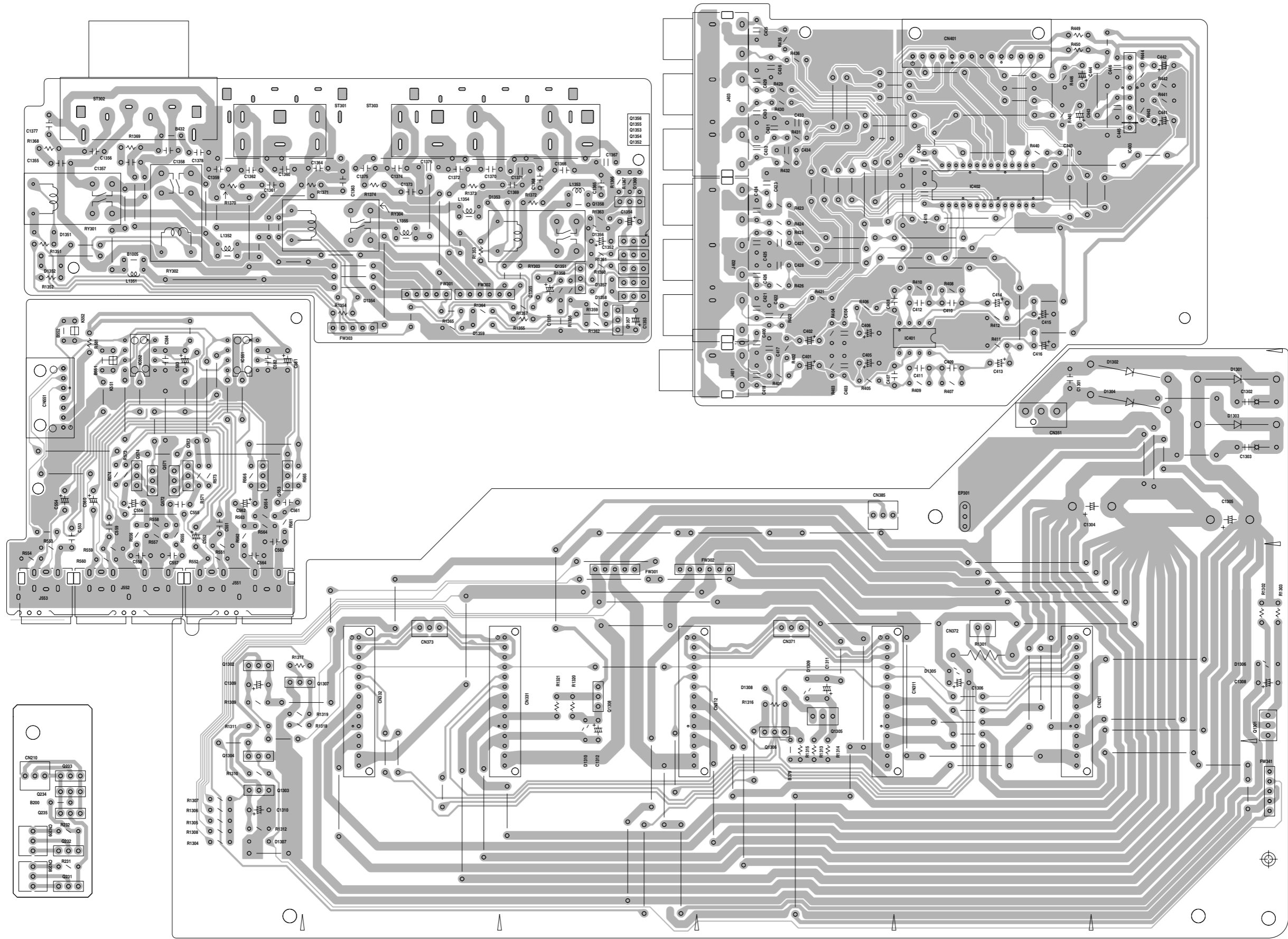
5

4

3

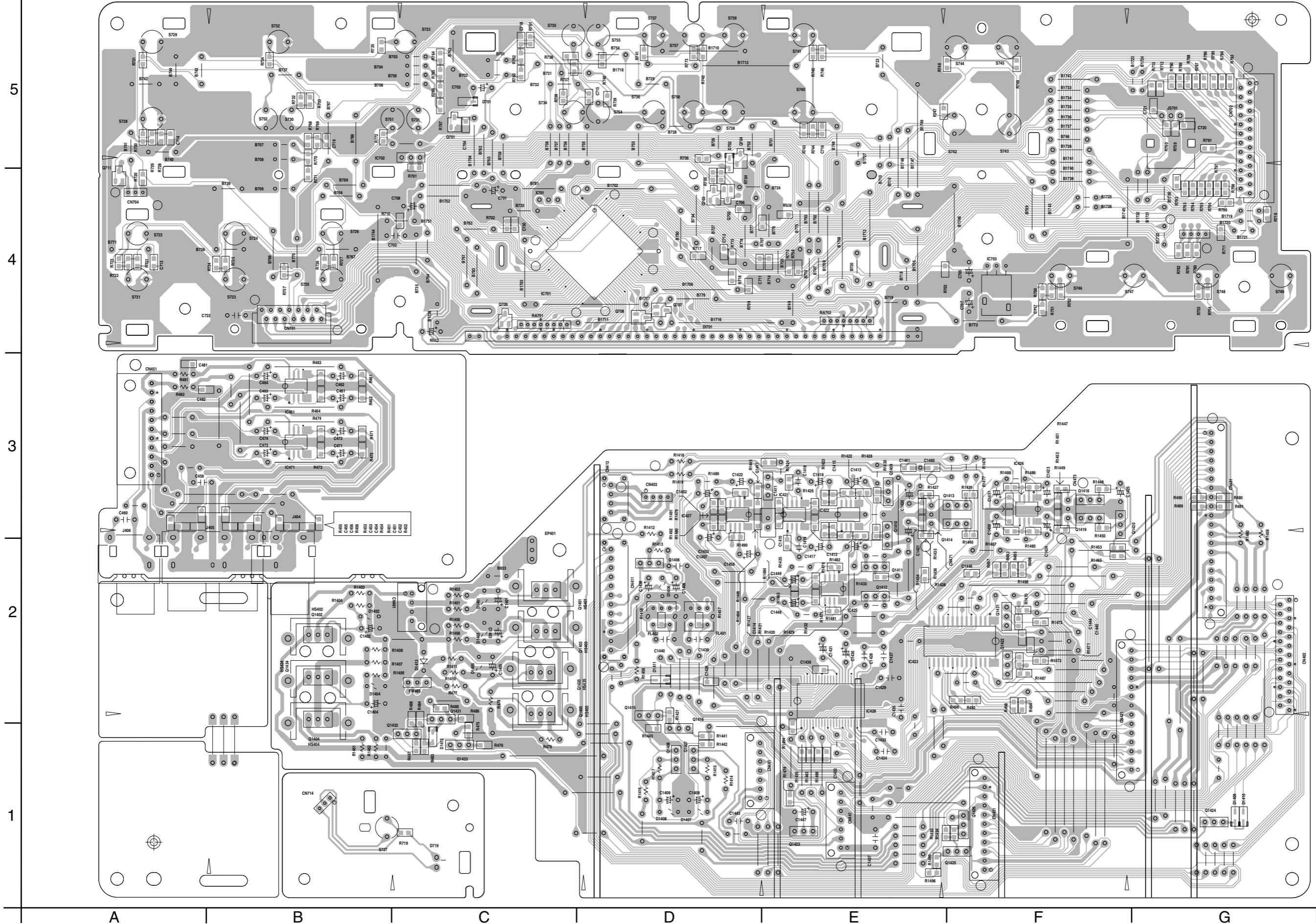
2

1



A B C D E F G H

■ System control & Audio board



■ Power amp. board

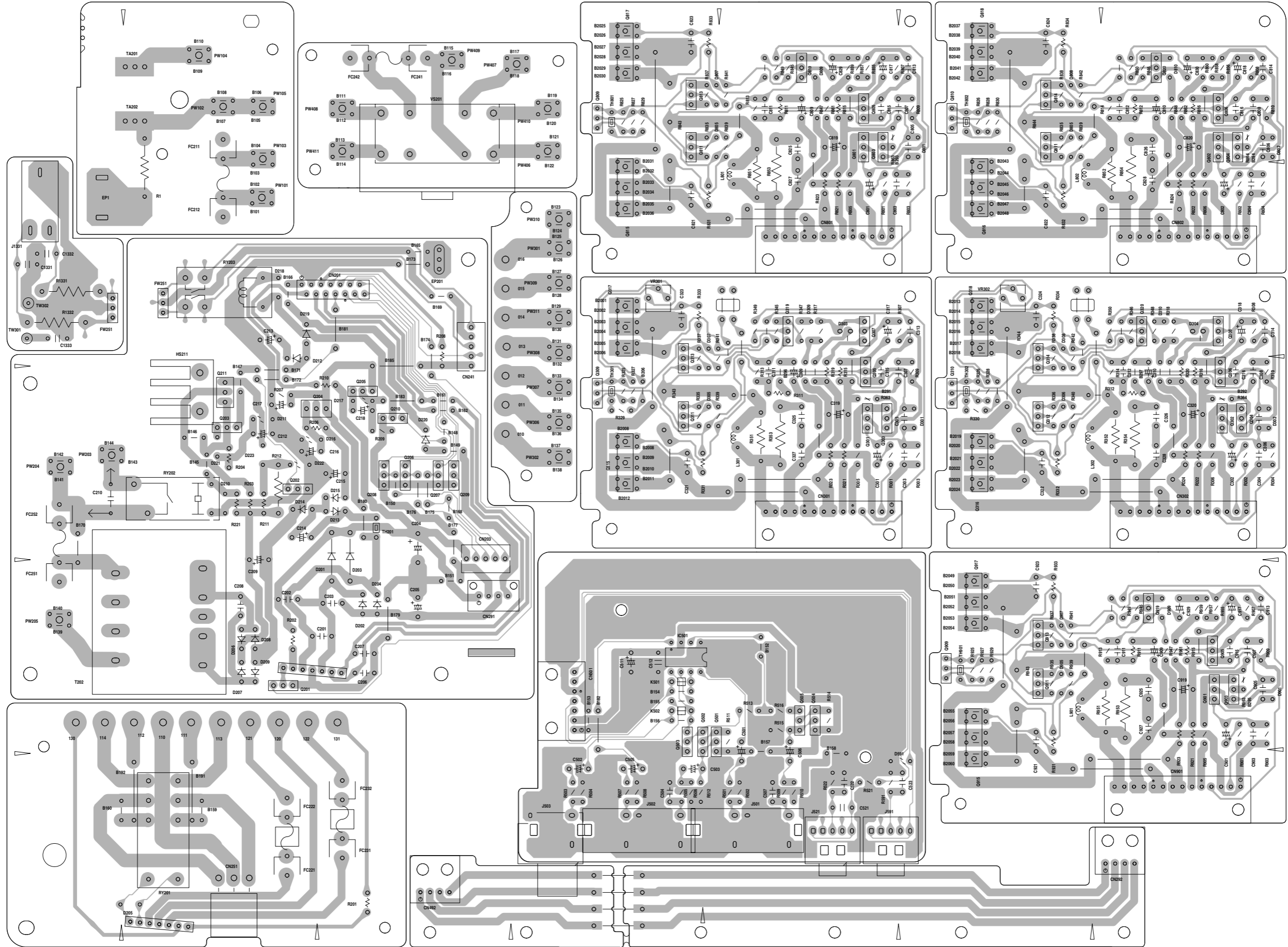
5

4

3

2

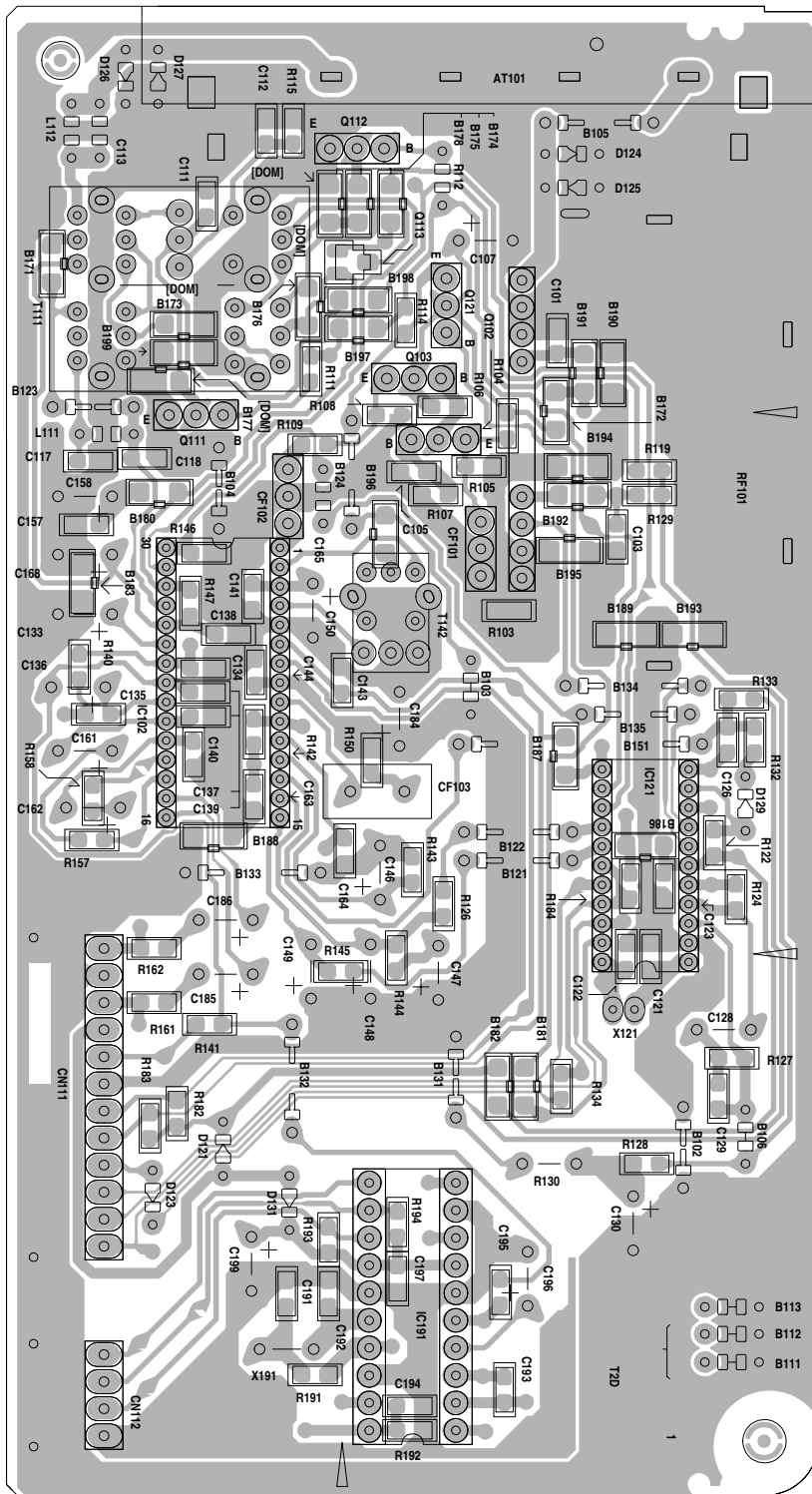
1





■ Tuner board

5  
4  
3  
2  
1



2-14      A      B      C      D